

8th International Fusion Sciences and Applications (IFSA2013)

IFSA2013

Announcement for Exhibition Booth

IFSA2013 Conference chair
Hiroshi Azechi

To whom it may concern,

We are pleased to announce that there will be an exhibition at IFSA2013 to be held from Sep. 8-13, 2013 at Nara Prefecture New Public Hall. The exhibition is planned to show company products and research institute's activities to the hundreds of IFSA2013 participants. This exhibition can promote the potential of industries and institutes related to inertial fusion, plasma, measurement, simulation and their applications.

The IFSA website is: <http://www.ifsa13.org/>

We appreciate you utilize this opportunity to promote your activities.

Host: IFSA2013 local organizing committee

Exhibition hour: Sep. 8 12:00 - Sep. 13 15:00

Place: Nara Prefecture New Public Hall, Lobby of Reception Room (101 Kasuganotyou, Nara 630-8212, Japan, TEL: 0742-27-2630, FAX: 0742-27-2634)

Location: The room is located at the second floor of the center, in front of the reception room, next to the coffee break area.

Web: <http://www.shinkokaido.jp/>

Size of booth: D600×W1,800×H1,800

Equipment (standard) : name board, 50W spot light×2, one table, two chairs, (11) socket (100V, 500W), No coolant water.

Booth Fee: 200,000 [YEN] per one booth

Privileges : 1. one person per booth will be admitted to IFSA2013 conference.
2. company logo on IFSA2013 web site. (and link, if you want)
3. company logo on the abstract book.

Application form should be sent to,

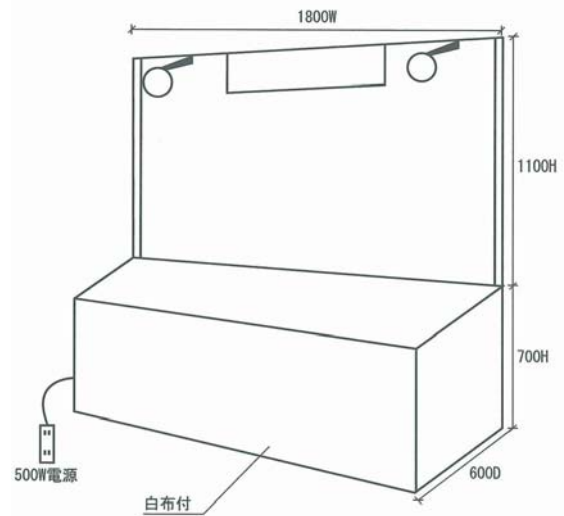
IFSA2013 International conference information
Proactive Inc.
10F Bay Wing Building 85-1, Edomachi, Chuoku, Koube, 650-0033, Hyogo, Japan
Information office
TEL:078-332-2505 / FAX:078-332-2506
E-mail:ifsa2013@pac.ne.jp

Applications close on Oct, 8, 2013.

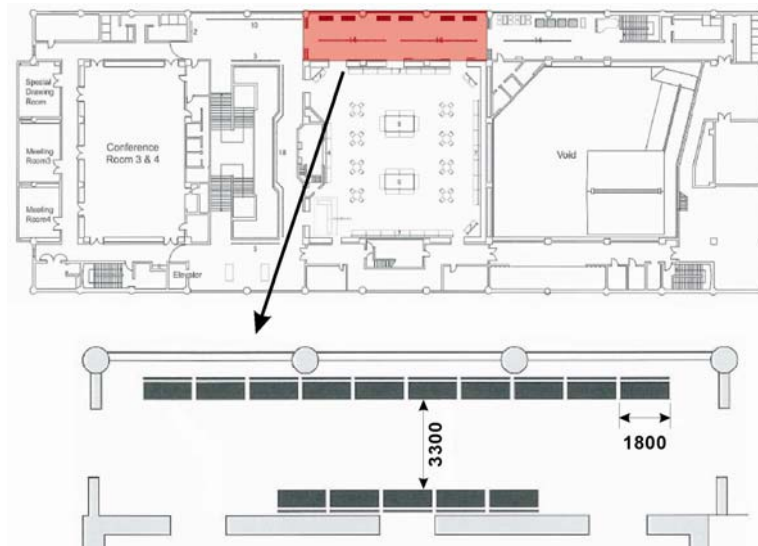
Exhibition Booth

- back panel (1,800W×1,100H)
- table (1,800W×600D×700H)
- table cloth (white)
- 50Wspot light×2
- 100V500Wpower source
- Company name board (900W×200H)

piecework : accept in the order of arrival.



Exhibition booth



2nd floor / Nara Prefecture New Public Hall

Application : FAX : +81-078-332-2506.

Transfer:

Bank Name : SUMITOMO MITSUI BANKING CORPORATION
Branch Name: Senri Chuo Branch
Account Type :Ordinary account (Futsuu)
Account No : 0972344
Account Name : IFUSADAIHYOAZECHIHIROSHI
Branch code: 556

Application Form

Company name			
Address			
Contact information	TEL		
	FAX		
	E-mail		
Person in charge	department	print name	signature

Details	Quantity	Remarks
Booth fee (200,000 YEN per booth)		Total
Date of remittance	(dd:mm:yy)	
Use of electricity	100V: W	Extra charge for over 500W. Please contact.
Company name to be printed on the name board		
Homepage address	http://	
Logo of your company	Send JPG or GIF file to the following e-mail addresses. E-mail: ifsa2013@pac.ne.jp and hironaka-y@ile.osaka-u.ac.jp	

Office use

Application form should be sent to,

Proactive Inc.
10F Bay Wing Building 85-1, Edomachi, Chuoku,
Koube, 650-0033, Hyogo, Japan
Information office
FAX:+81-078-332-2506